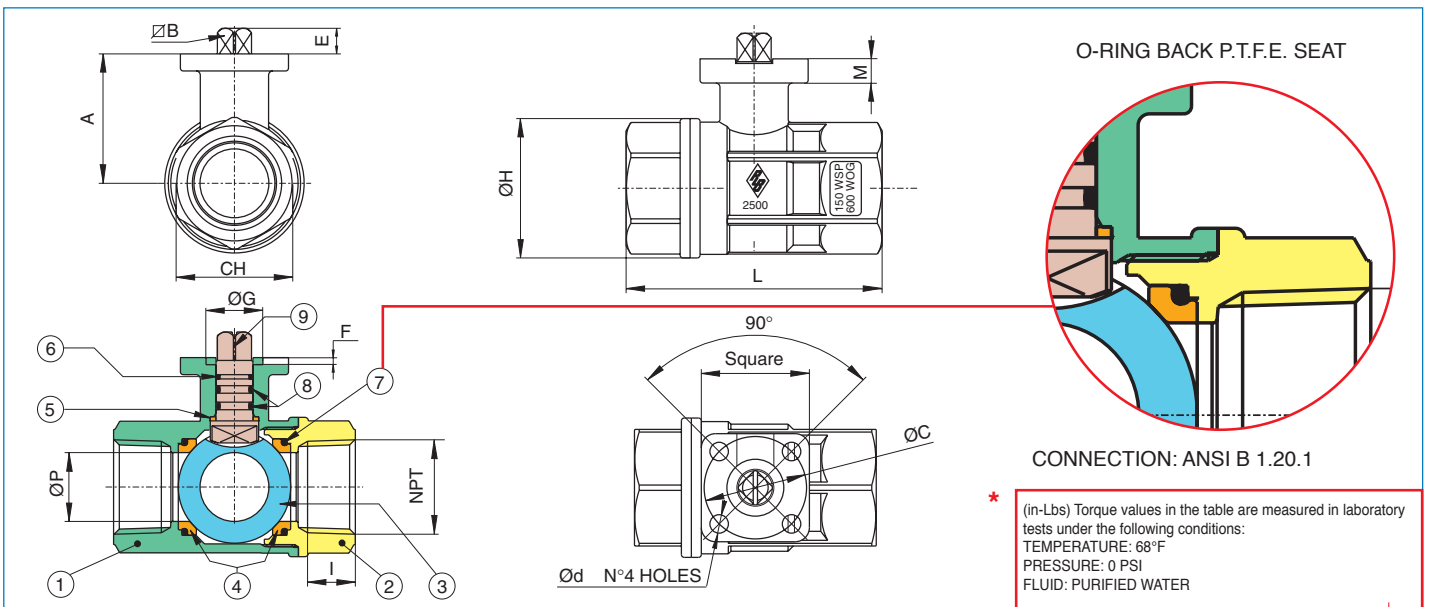


SERIES 250N - 253N DIRECT MOUNT 2 WAY BALL VALVE



- Brass ball valve, female/female, with ISO 5211 pad for actuator.
- Full port from 1/4" to 4".
 - Pressure rating 600 WOG - 150 WSP.
 - Temperature to 366°F.
 - Blow out proof stem, chrome plated brass ball.
 - P.T.F.E. seats with O-RING backing for low operating torque.
 - P.T.F.E. seats and double O-RING stem packing.
 - 100% electronically tested in the open and closed position at 80 PSI.

250N - WITH BRASS BALL AND STEM SIZE UP TO 4".
253N - WITH STAINLESS STEEL BALL AND STEM SIZE UP TO 2".



N POS	PART NAME	MATERIAL	N PCS	SIZE	Square	A	∠B	ØC	Ød	E	F	ØG	ØH	I	L	CH	M	ØP	PSI	Lbs	* in-Lbs
1	BODY	BRASS CW 617N UNI EN 12165	1	1/4"	1.49	1.28	0.35	1.42 (ISO F03)	0.24	0.35	0.08	0.98	1.32	0.39	2.64	1.06	0.22	0.39	600	0.82	53.10
2	END CONNECTION	BRASS CW 617N UNI EN 12165	1	3/8"	1.49	1.28	0.35	1.42 (ISO F03)	0.24	0.35	0.08	0.98	1.32	0.40	2.64	1.06	0.22	0.39	600	0.79	53.10
3	BALL	BRASS CW 617N UNI EN 12165	1	1/2"	1.49	1.28	0.35	1.42 (ISO F03)	0.24	0.35	0.08	0.98	1.32	0.53	2.64	1.06	0.22	0.56	600	0.66	53.10
4	BALL SEAT	P.T.F.E.	2	3/4"	1.49	1.36	0.35	1.42 (ISO F03)	0.24	0.35	0.08	0.98	1.57	0.55	3.00	1.26	0.22	0.75	600	0.91	53.10
5	THRUST WASHER	P.T.F.E.	1	1"	1.49	1.79	0.35	1.42 (ISO F03)	0.24	0.35	0.12	0.98	1.93	0.66	3.35	1.61	0.24	0.95	600	1.55	53.10
6	STEM SEAL	P.T.F.E.	1	1 1/4"	1.49	1.93	0.35	1.42 (ISO F03)	0.24	0.35	0.12	0.98	2.30	0.68	3.66	1.97	0.24	1.18	600	2.14	53.10
7	O-RING	FKM (Viton®)	2	1 1/2"	1.96	2.52	0.43	1.97 (ISO F05)	0.27	0.43	0.12	1.38	2.87	0.68	4.13	2.16	0.39	1.49	600	3.71	150.45
8	O-RING	FKM (Viton®)	2	2"	1.96	2.88	0.43	1.97 (ISO F05)	0.27	0.43	0.12	1.38	3.60	0.70	4.80	2.75	0.31	1.97	600	5.52	150.45
9	STEM	BRASS CW 614 NUNI EN 12164	1	2 1/2"	2.75	3.48	0.55	2.76 (ISO F07)	0.35	0.59	0.12	2.16	4.51	0.93	6.10	3.54	0.35	2.52	600	8.83	274.35
				3"	2.75	3.85	0.55	2.76 (ISO F07)	0.35	0.59	0.12	2.16	5.35	1.01	6.89	4.13	0.35	3.00	600	13.29	274.35
				4"	2.75	4.59	0.67	2.76 (ISO F07)	0.35	0.69	0.12	2.16	6.53	1.09	8.03	5.12	0.33	3.74	600	21.54	646.05