



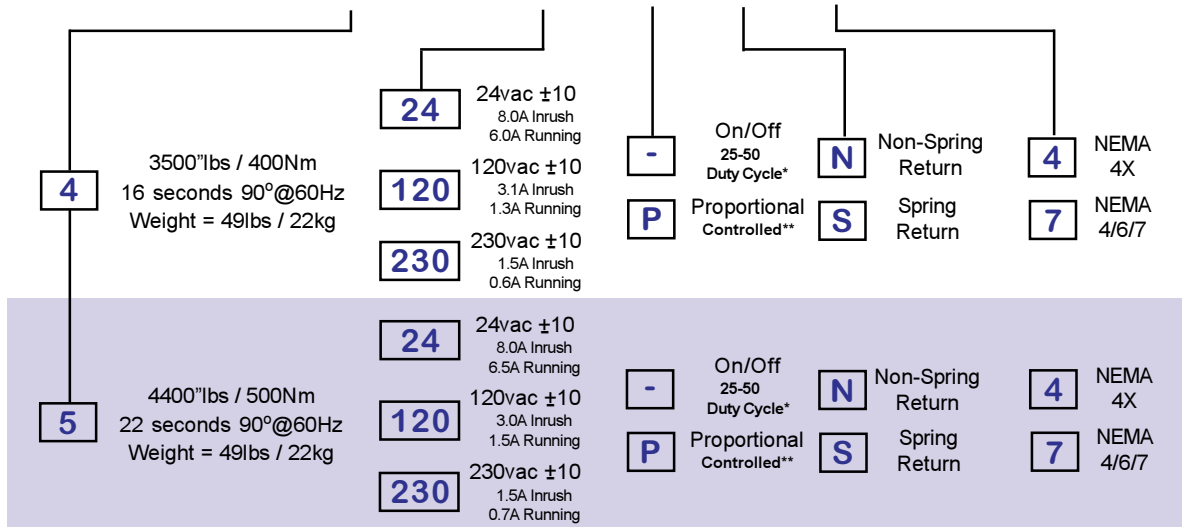
P4 Series P5 Series

Actuator Specifications	P4			P5		
Torque lb/Nm	3500"lbs/400Nm			4400"lbs/500Nm		
Supply Voltage	24vac	120vac	230vac	24vac	120vac	230vac
Max Inrush Current	8.0A	3.1A	1.5A	8.0A	3.0A	1.5A
Running Current	6.0A	1.3A	0.6A	6.5A	1.5A	0.7A
Runtime (90°@60/50Hz)	16sec	16sec/18sec		22sec	22sec/25sec	
Weight	49lbs/22kg					
Mechanical Connections	ISO5211					
Electrical Entry	(2) 3/4" NPT					
Electrical Terminations	12 - 18 Ga.					
Environmental Rating	4, 4X					
Manual Override	7.6" HandWheel					
Control	On/Off, Proportional					
Case material	Aluminum Alloy, Powder Coated					
Motor Protection 120vac or 230vac Operation	Split Phase Capacitor 275°F/135°C Thermal F Class					
Motor Protection 24v (AC or DC) Operation	DC Brush Type 275°F/135°C Thermal F Class					
Ambient Temperature Operating Range	-22°F to +150°F -30°C to +65°C					



An electric actuator designed for load requirements ranging from 3500 to 4400"lbs. The actuator comes standard with two auxiliary switches (Form C), an internal low power heater, a NEMA 4X environmental rating, and in 24vac, 120vac or 230vac supply voltages. The P4/5 mechanical connections utilize an ISO5211 mounting system. The P4/5 Series can be ordered as an on/off or two position model that can also be used in bump/jog applications. Or it can be ordered with an advanced internal proportional control card that accepts a wide range of control signals, generates multiple feedback signals, and has look-ahead fault prevention.

P 4 - 120 P N 4 - Options*)



Options *Not all combinations are possible - see tables Page 4)*

- C** Chain Wheel Override System 12' (3.6M) Loop Length Std or specify
- L** Local HOA Control
- X** 3rd and 4th Auxiliary Switch (Form C)
- M** Multiple control of On/Off actuators from a common point (parallel)
- P1** Feedback Potentiometer
P1=1K ohm, P5=5K ohm
P10=10K Ohm

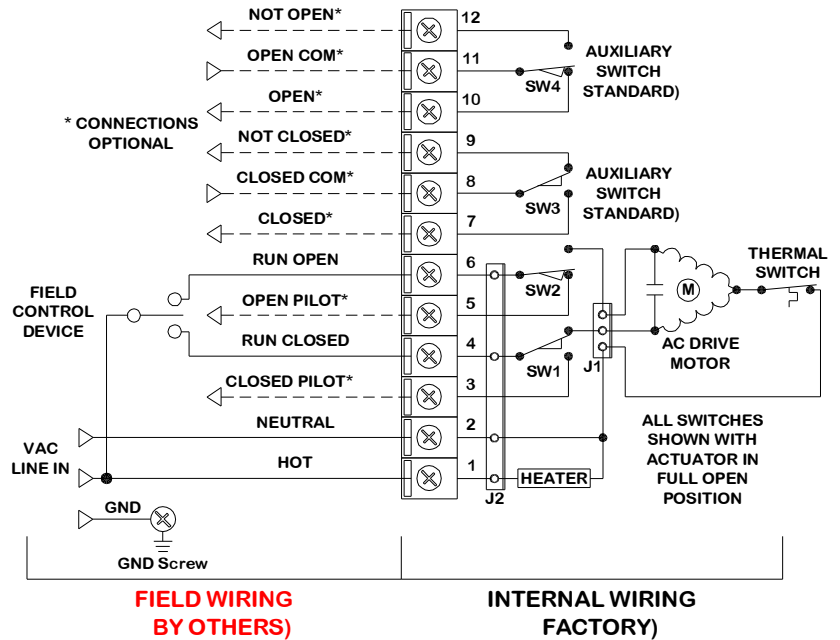
* Duty cycle is defined as the ratio of run time vs. off time. (Application dependent)

** Contolled Duty cycle is a proprietary function. (Please contact your local distributor for information)

Wiring Diagrams for P Series -

On Off Jog Control

Field Control Device may be relay contact, Switch or Triac type. Pilot device 10A MAX. Auxiliary switches are rated 10A @ 250vac MAX. Terminals 7-12 are dry type Form C. Terminals accept 12-18ga solid/stranded wire.



Proportional Control

Control Signal Inputs selectable and programmable):
0-10vdc, 1-5vdc, 2-10vdc, 0-20mA, 4-20mA

Common can be ground referenced or isolated from ground.

Input impedance: 135k ohms 0-10vdc)
250k ohms 0-5vdc)
250 ohms 4-20mA)

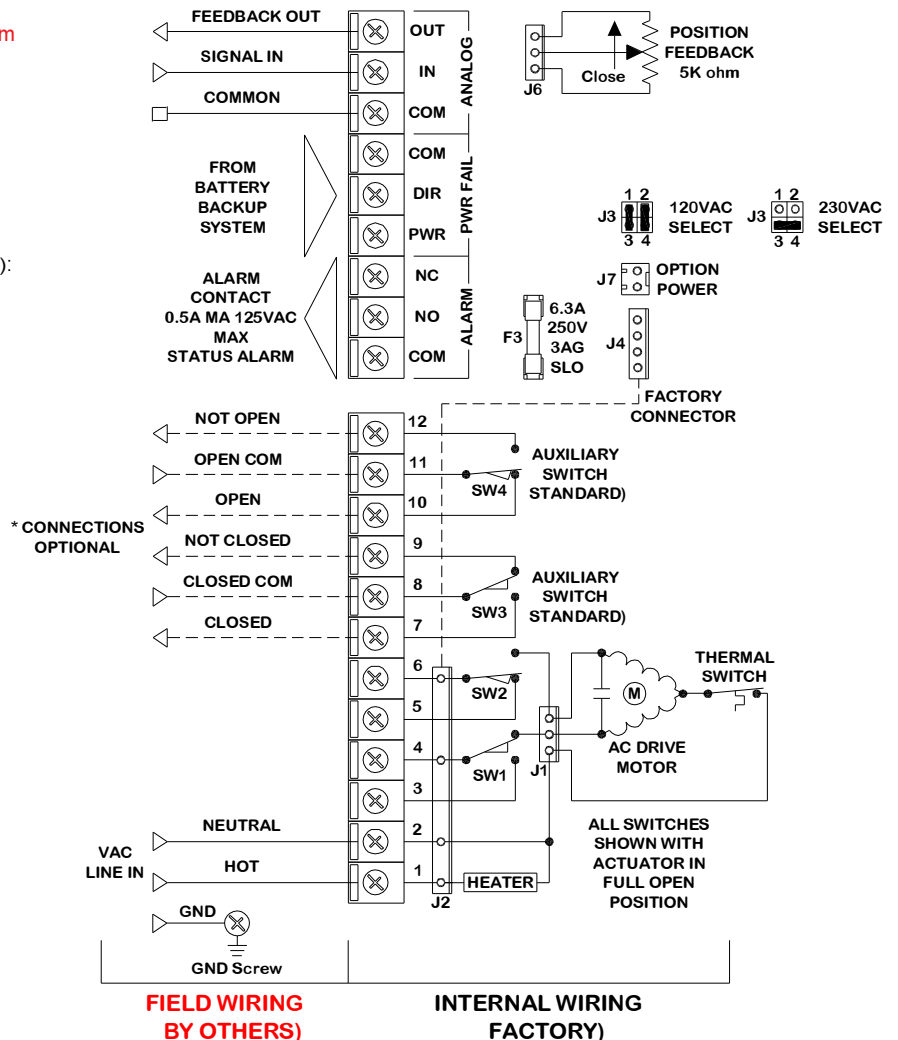
Sensitivity: 50mV 0-10vdc)
20mV 1-5vdc)
80uA 4-20mA)

Feedback Signal Output selectable and programmable):
1-5vdc, 0-10vdc, 2-10vdc, 4-20mA

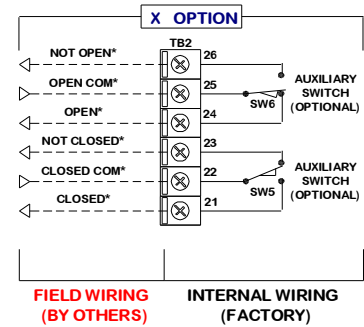
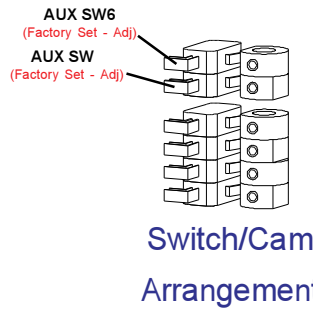
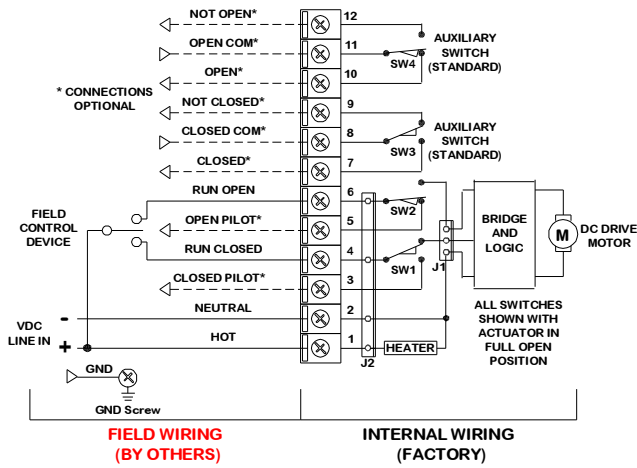
Referenced to the common terminal.
Max Load: 500 ohms

Alarm contacts and PWR FAIL connections are detailed in the OPTIONS Manual.

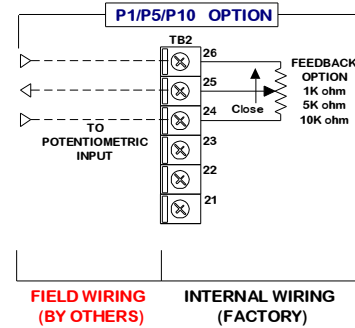
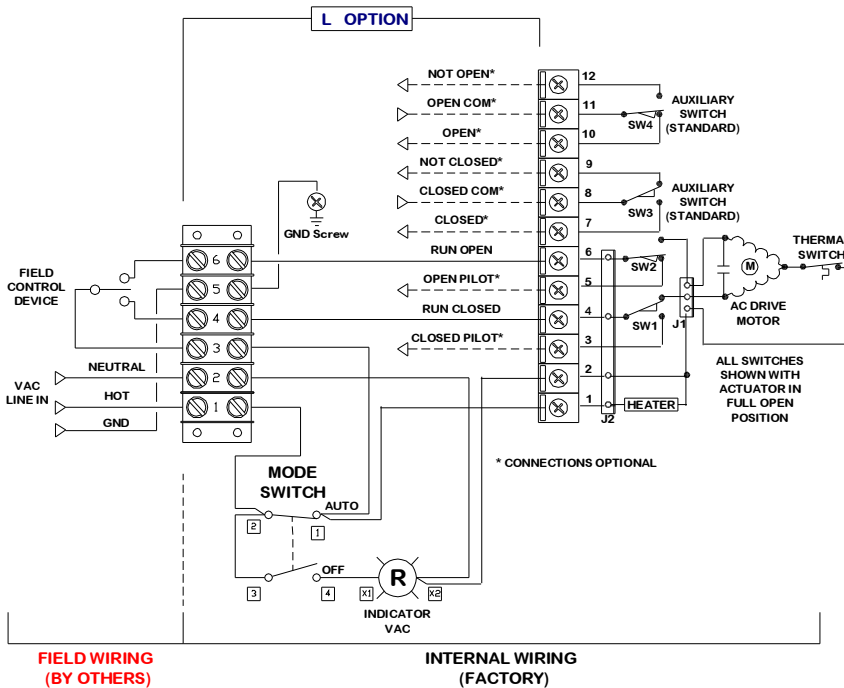
Main Switch Card Terminals accept 12-18ga solid/stranded wire.
Proportional Control Card Terminals accept 14-22ga solid/stranded wire.



SD07/P45 Version A.3.07.2007



The X Option consists of 3rd & 4th auxiliary switches factory mounted. This is NOT a field installed option. This option can be used with On/Off and Proportional control actuators. It is available on P2 thru P12 series actuators.



The P Option is a potentiometric feedback for On/Off actuators. This is NOT a field installed option. This option can be used only with On/Off actuators. It is available on P2 thru P12 series actuators. This option requires the selection of 1k, 5k or 10k ohm resistance values.

	C	L	X
C	-	yes	yes
L	yes	-	yes
X	yes	yes	-

The L Option is a local control for Off-Auto Operation. This option allows the actuator to be positioned manually with the override handwheel. This option can be factory or field installed. This option can be used with On/Off and Proportional control actuators. It is available on P2 thru P12 series actuators. The use of this option requires the electrical contractor to make conduit entries into the electrical box of the option. These entries cannot be made at the factory due to unknown box entry attitudes.

The C Option is a mechanical Chain Wheel system that converts the manual override handwheel to a chain driven override for use in applications where the actuator is mounted at a distance above the floor. (See the options guide for details).

The M Option allows multiple On/Off actuators to operate correctly in parallel off a single control switch or relay contact. Without the use of this option multiple actuators MUST use isolation relays on each leg for proper operation. (See the options guide for details).

These tables indicate which options are available in On/Off and Proportional control actuators, as well as which options are compatible with each other.

	C	L	X	M	P1,5,10
C	-	yes	yes	yes	yes
L	yes	-	yes	n/a	yes
X	yes	yes	-	yes	n/a
M	yes	n/a	yes	-	yes
P1,5,10	yes	yes	n/a	yes	-

